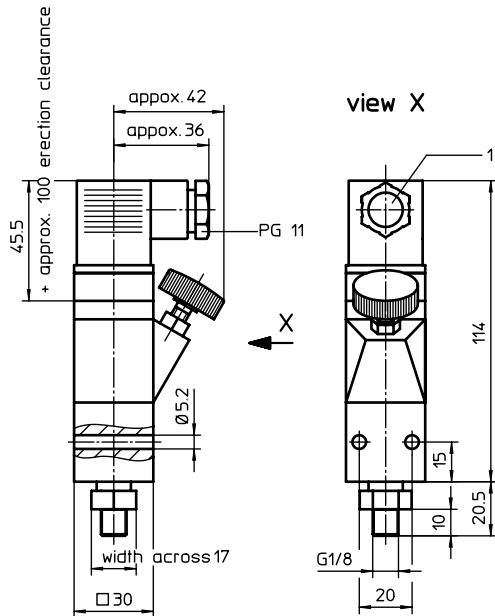


### Clogging indicator E6 ... GS



### 1. Type index: (ordering example)

#### E 6. 1,5. GS

1	2	3
---	---	---

#### 1 series:

E6 = pressure switch, contact maker and contact breaker

#### 2 pressure difference range: ( $\Delta p$ -nominal)

1,5 = 1,5 bar  
2,5 = 2,5 bar

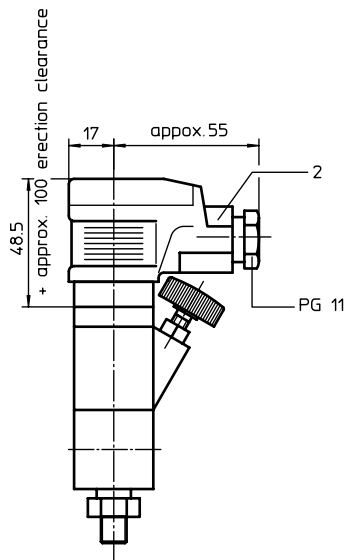
#### 3 connection:

GS = line adapter DIN 43650-A, three-channel plug  
SS3 = line adapter DIN 43650-A, three-channel plug with LED indication of switching position

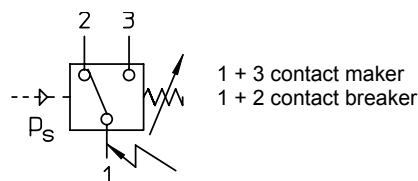
### 2. Technical data:

max. pressure:	to 100 bar
temperature range:	- 20 °C to + 80 °C
type of protection:	IP 55
connection of cable:	PG 11
max. contact load with GS-line adapter:	$U_{max} = 250 \text{ V AC}$ $I_{max} = 2 \text{ A}$ $P_{max} = 500 \text{ VA}$
distribution voltage with SS3-line adapter:	$U_{max} = 24 \text{ V DC}$ $I_{max} = 2 \text{ A}$ $P_{max} = 48 \text{ VA}$
max. contact load with SS3-line adapter:	

### Clogging indicator E6 ... SS3



### 3. Symbol:



### 4. Spare parts:

item	qty.	designation	dimension	article-no.
1	1	GS	DIN 43650-A	312492
2	1	SS3	DIN 43650-A	312478

Changes of measures and design are subject to alteration!